

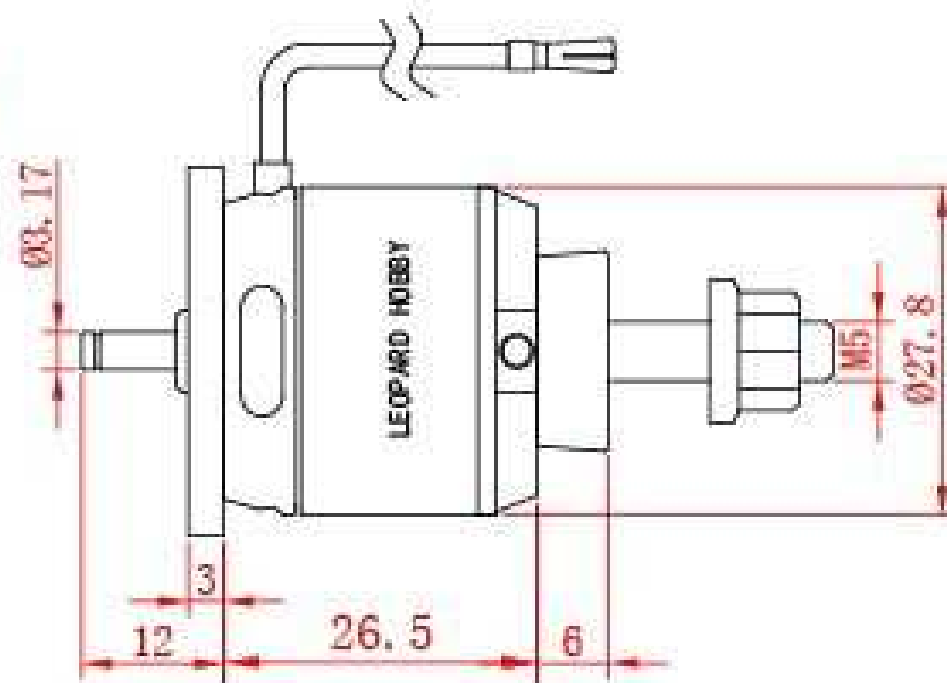
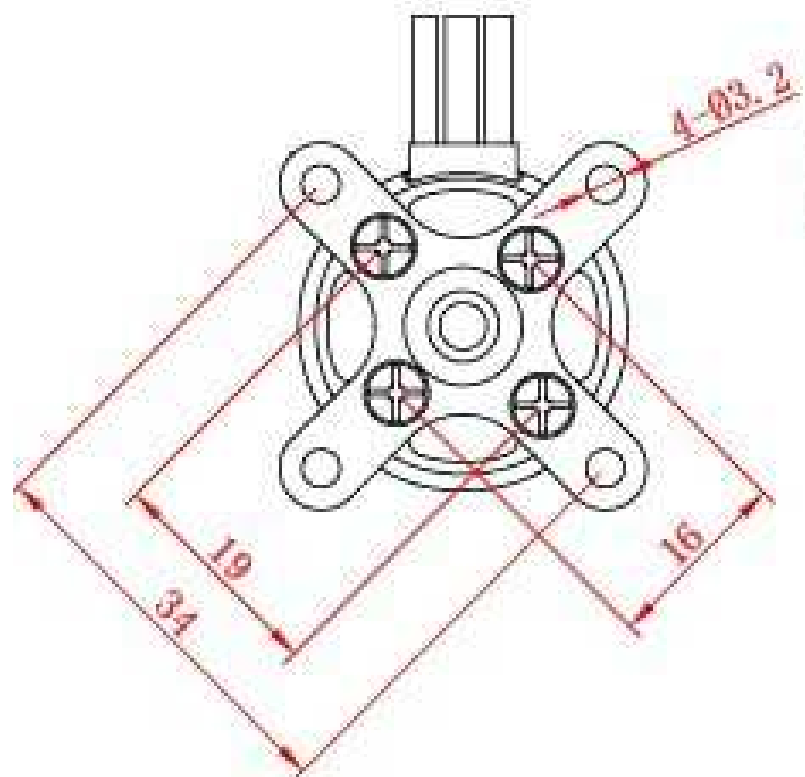






LEOPARD HOBBY





LC2830 Series Specification (Dia.×Length : Φ 27.8mm×30.0mm)

Length of extend shaft : --- **12(mm)**

Shaft Dia. : ----- **3.175(mm)**

Weight : ----- **56(g)**

Model	KV	No-load current (A)	Max Amps (A)	Propeller	Max Voltage (V)	Current (A)	Pull (g)	Power (w)	Resistance	Load current (A)
LC2830-12T	980	0.5	15	947	7.4	5.5	419	41	0.1575	13
					8.4	6.5	495	55		
					10	8.5	670	85		
					11.1	9.5	740	105		
					12.6	11.5	890	145		
					14	12.5	1010	175		
				1047	8.4	8.5	600	72		
					11.1	12.5	925	139		
					12	13.6	1000	163		
					14	16	1150	224		
				1147	8.4	11	720	93		
					11.1	16	1010	177		
					12	17	1110	204		

LC2830 Series Specification (Dia.×Length : Φ27.8mm×30.0mm)

Length of extend shaft : --- 12(mm)

Shaft Dia. : ----- 3.175(mm)

Weight : ----- 56(g)

Model	KV	No-load current (A)	Max Amps (A)	Propeller	Max Voltage (V)	Current (A)	Pull (g)	Power (w)	Resistance	Load current (A)
LC2830-9T	1290	0.7	18	843	7.4	7.5	450	56	0.083	15.5
					8.4	9	555	76		
					11.1	12	740	133		
					12.6	13	820	164		
				947	8.4	13.5	780	113		
					11.1	17	1000	189		
					12.6	19	1120	240		