

#81432 - Front Bumper / Skid Plate for the Traxxas Unlimited Desert Racer

What's Included: 1 - Lower Front Bumper, 1 - Bumper Support, 1 - Skid Plate, 2 - M3 x 14mm Buttonhead Screws & 2 - M3 x 25mm Buttonhead Screws

Before You Begin: Remove your stock front bumper / skid plate. Retain the following stock screws - 2 - M4 x 30 CCS (skid plate [#8537] to bulkhead [#3938]), 2 - M4 x 15CCS (skid plate [#8537] to bulkhead [#3938]) & 2 - M3 x 25mm BCS (skid plate [#8537] to tube chassis, center, front [#8431]). Retain the stock steel support from your Traxxas skid plate [#8537].

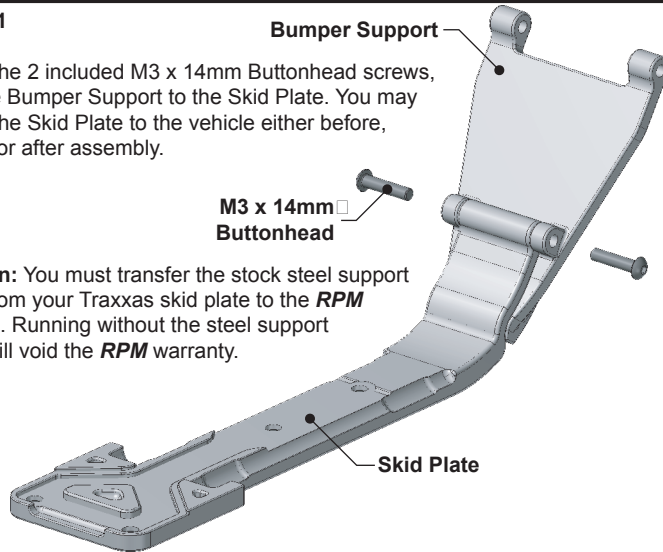
Assembly:

Step #1

Using the 2 included M3 x 14mm Buttonhead screws, bolt the Bumper Support to the Skid Plate. You may install the Skid Plate to the vehicle either before, during or after assembly.

-
-
-

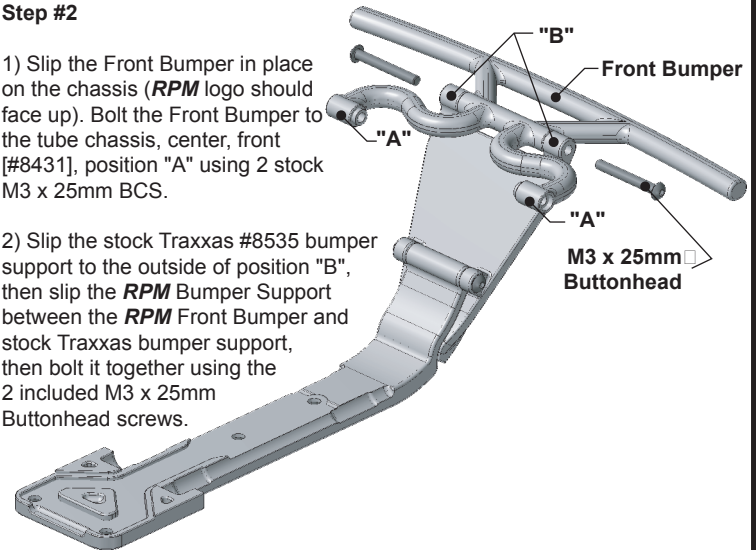
Caution: You must transfer the stock steel support plate from your Traxxas skid plate to the *RPM* version. Running without the steel support plate will void the *RPM* warranty.



Step #2

1) Slip the Front Bumper in place on the chassis (*RPM* logo should face up). Bolt the Front Bumper to the tube chassis, center, front [#8431], position "A" using 2 stock M3 x 25mm BCS.

2) Slip the stock Traxxas #8535 bumper support to the outside of position "B", then slip the *RPM* Bumper Support between the *RPM* Front Bumper and stock Traxxas bumper support, then bolt it together using the 2 included M3 x 25mm Buttonhead screws.



Tip: To simplify maintenance, any of the three pieces of the skid plate can be removed from the vehicle without removing the other parts. This allows faster access to the A-arm hinge pins, front bulkhead tie bar, tube chassis (center, front) and upper bumper support.