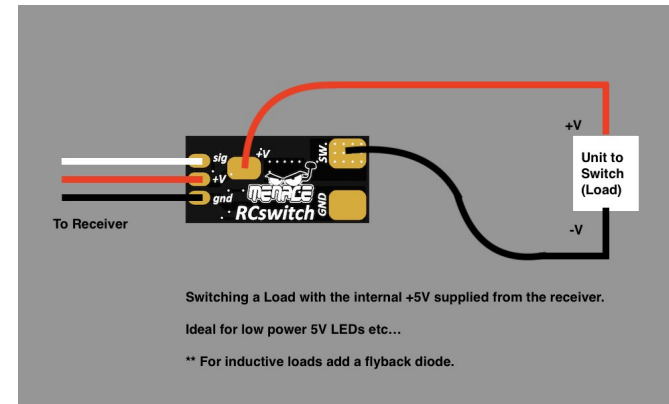
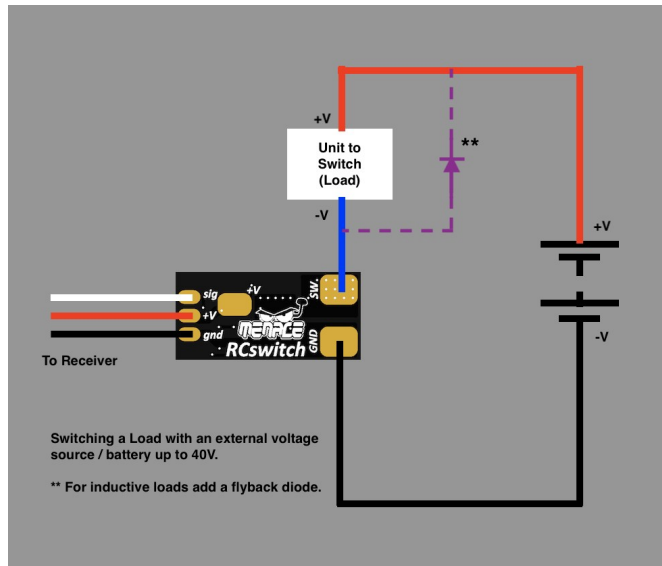


**OVERVIEW**

The RCswitch is capable of switching loads or auxiliary items ON/OFF by connecting to your receiver and controlling from any channel on your radio. Making this perfect for switching higher power items on your models such as smoke machines, lights, sound effects, flaps, landing gear, triggering camera shutters etc...

**SPECIFICATION**

Voltage:	40V
Current:	15A Continuous
Current:	50A Peak
Signal PWM switch on:	>1750us
Signal voltage range:	4.75V to 8.4V
Weight:	3.2grams
Dimensions:	L25.0 x W12.0 x H3.8 mm



**OPERATION**

To operate the switch apply a PWM signal over 1750uS the onboard led will light green to indicate the switch is active, reduce the signal to below 1250uS the switch will turn off. The midpoint can vary from batches to ensure solid operation observe the the lower and upper switching signals as indicated.

