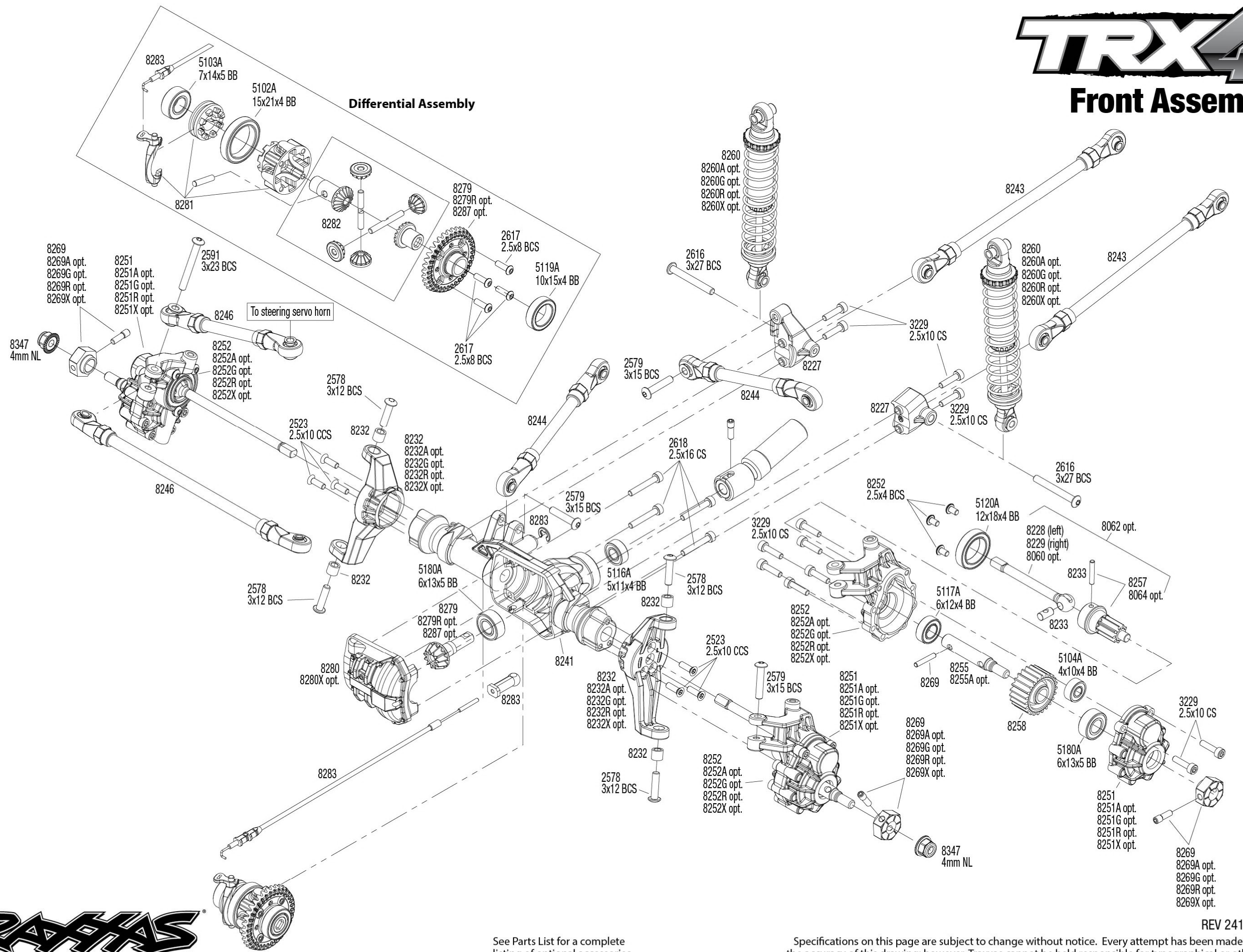


TRX4[®]

Front Assembly

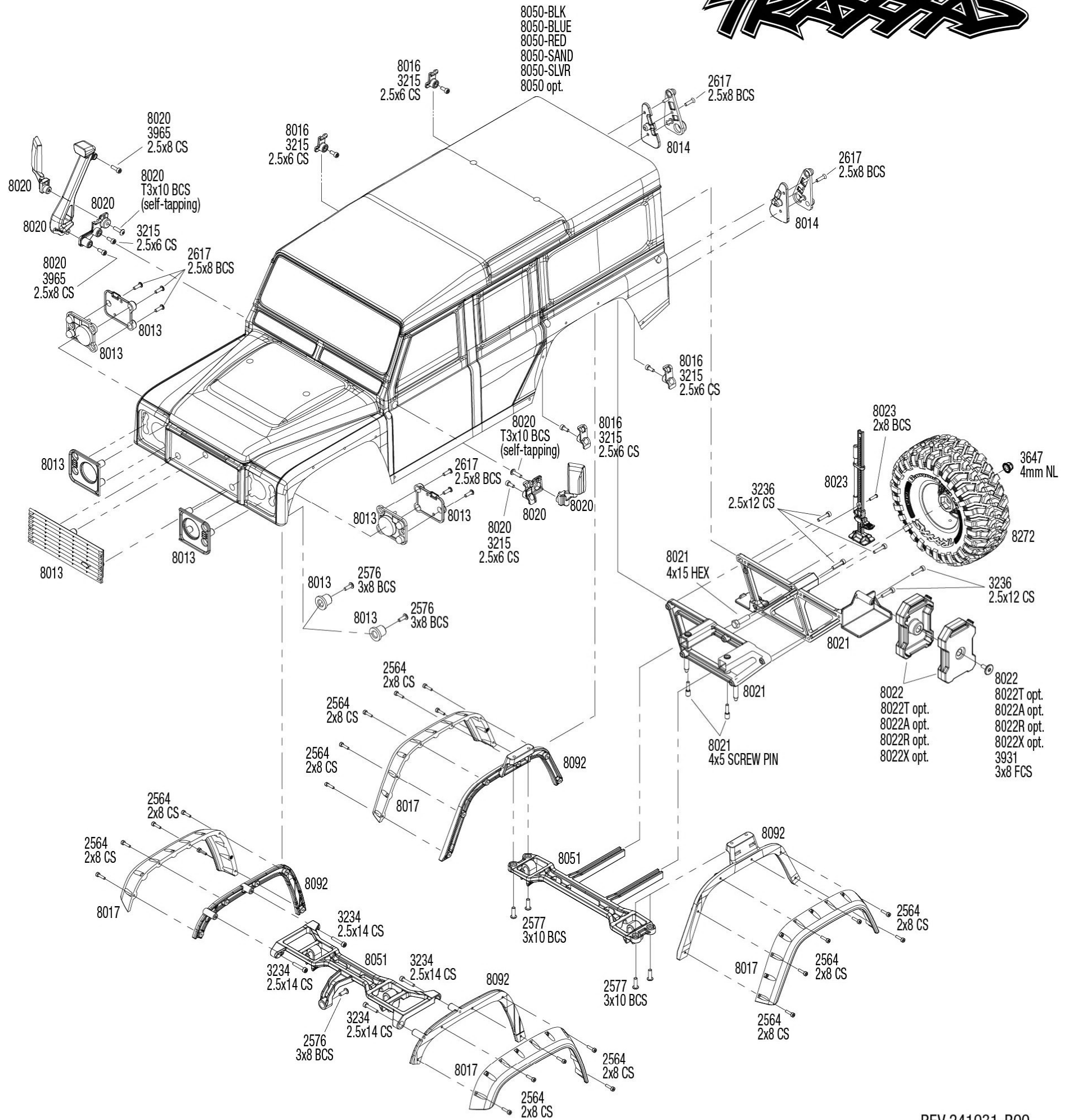
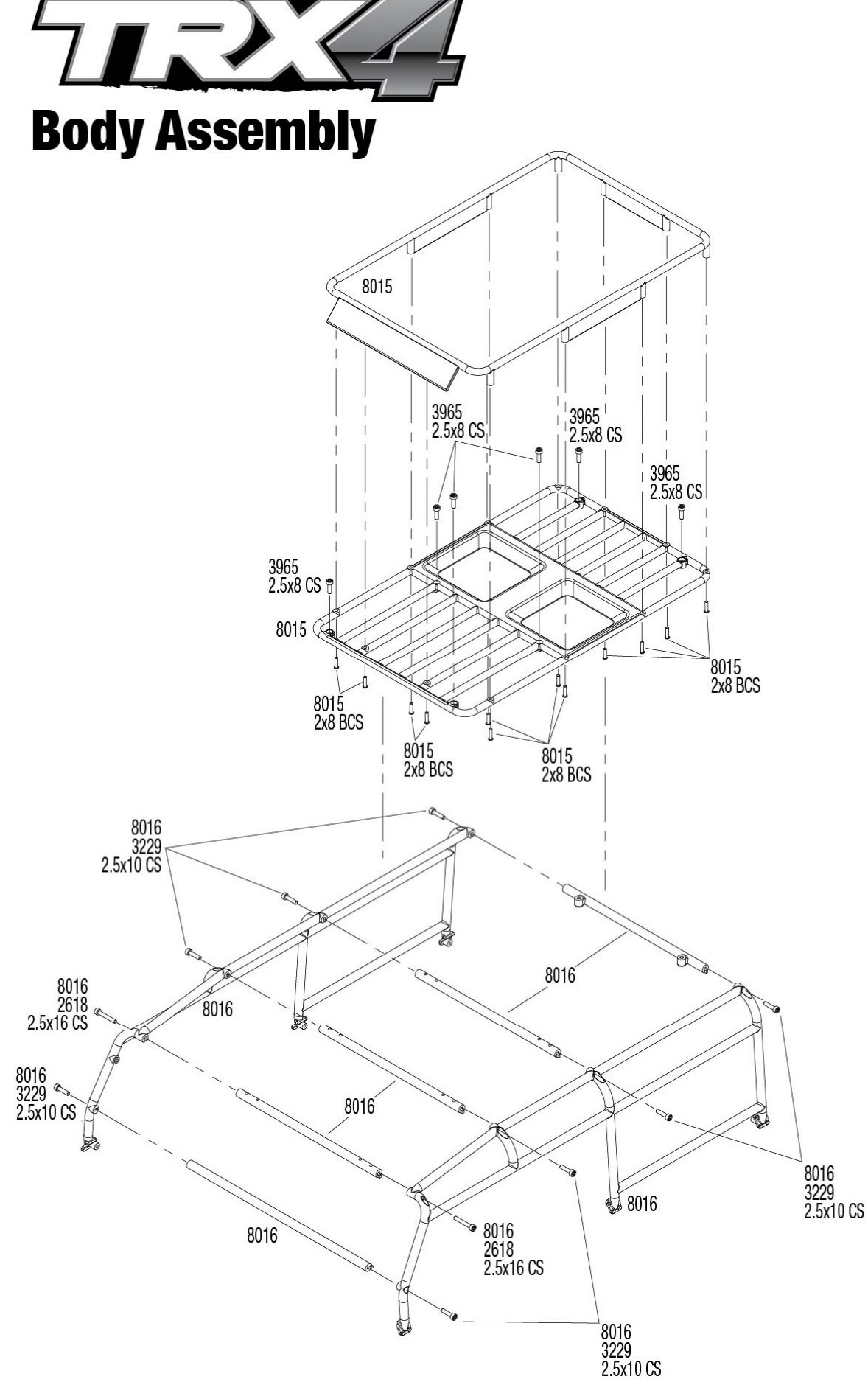


See Parts List for a complete listing of optional accessories.

Specifications on this page are subject to change without notice. Every attempt has been made to ensure the accuracy of this drawing; however, Traxxas cannot be held responsible for typographical or other errors.

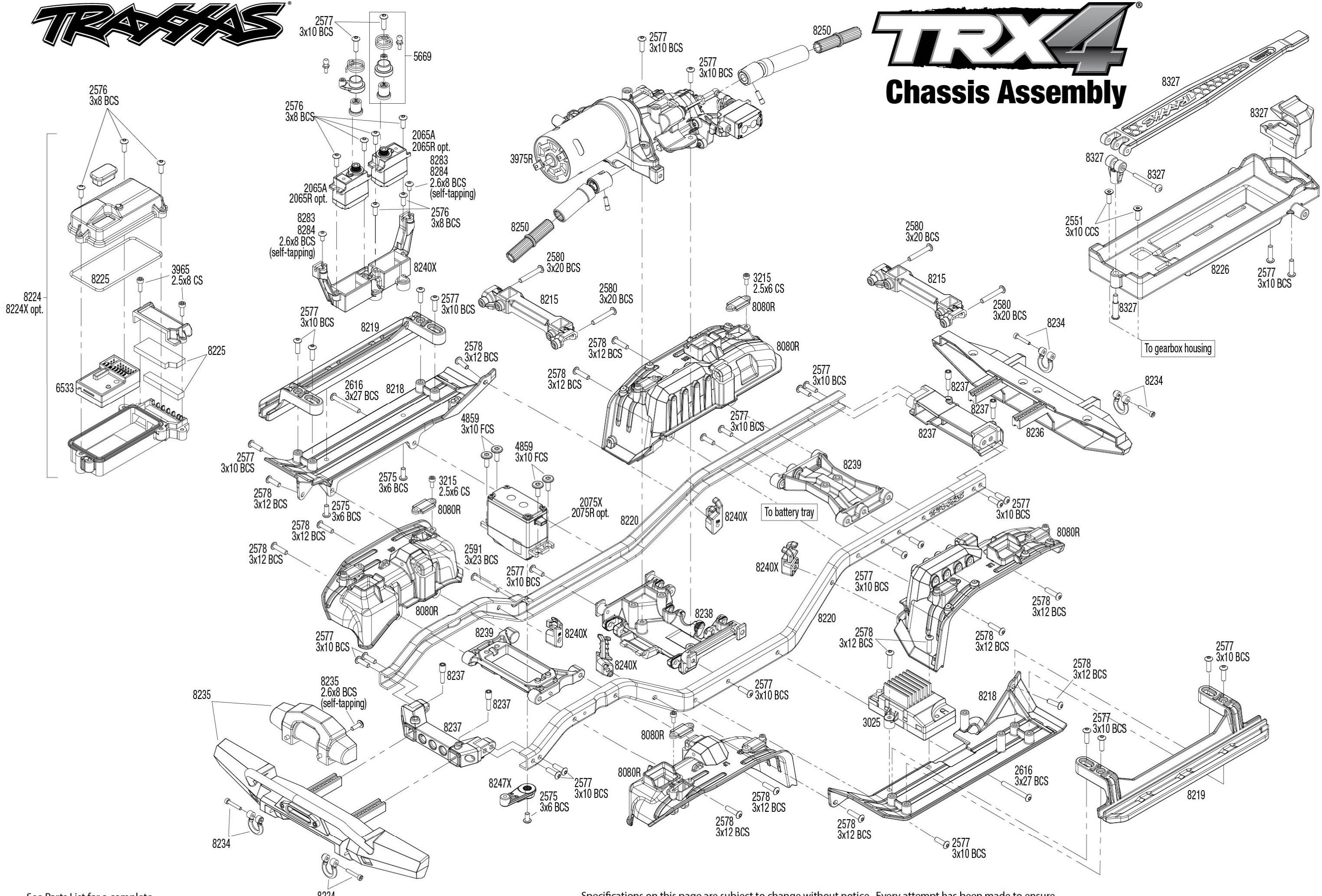
TRX4[®]

Body Assembly



See Parts List for a complete listing of optional accessories.

Specifications on this page are subject to change without notice. Every attempt has been made to ensure the accuracy of this drawing; however, Traxxas cannot be held responsible for typographical or other errors.



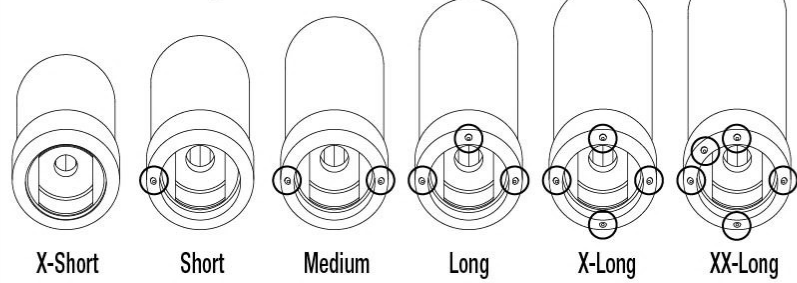
8224
8224X opt.

To gearbox housing

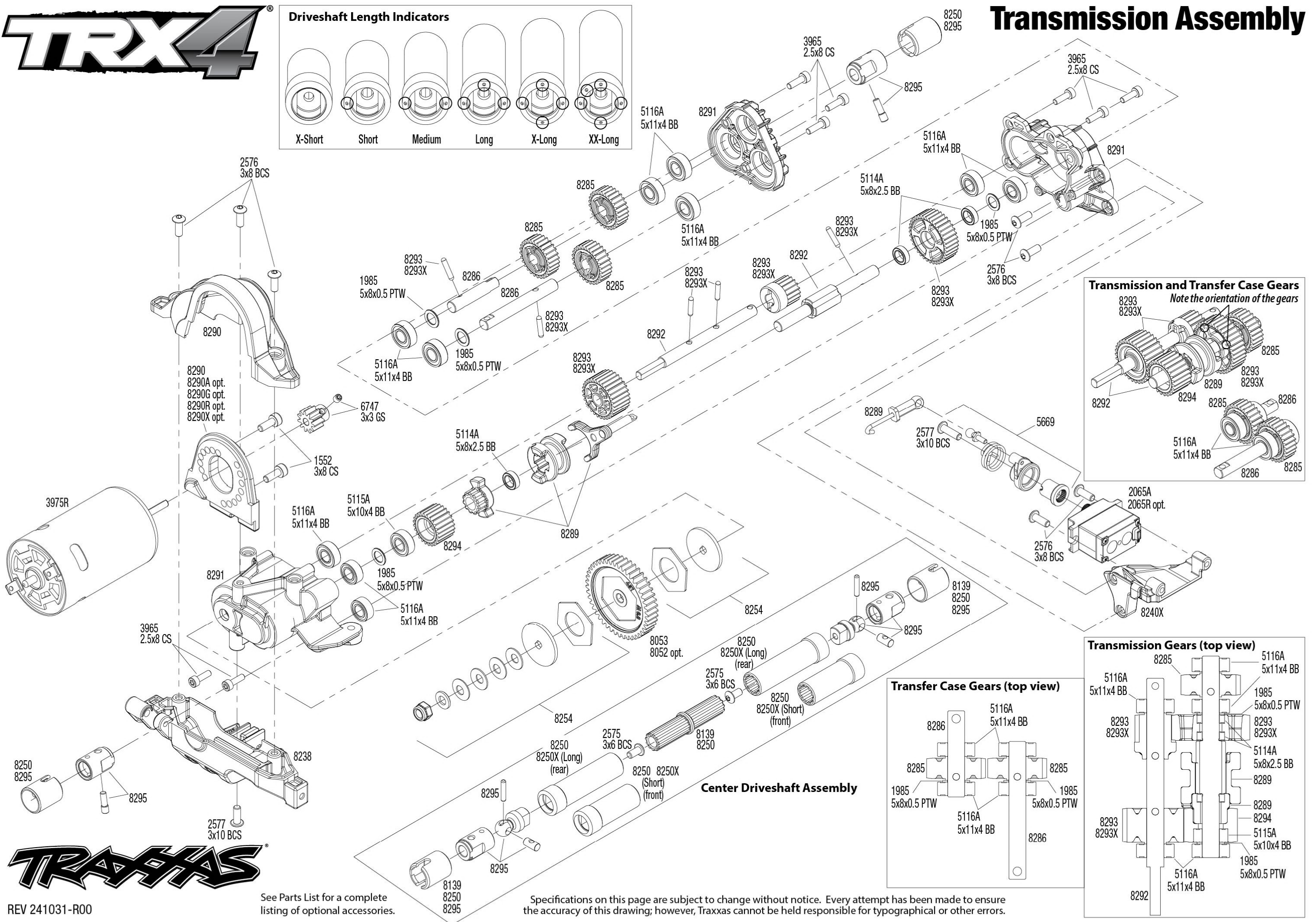
To battery tray



Driveshaft Length Indicators

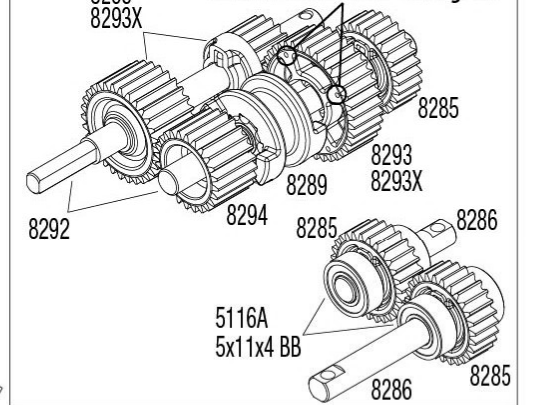


Transmission Assembly

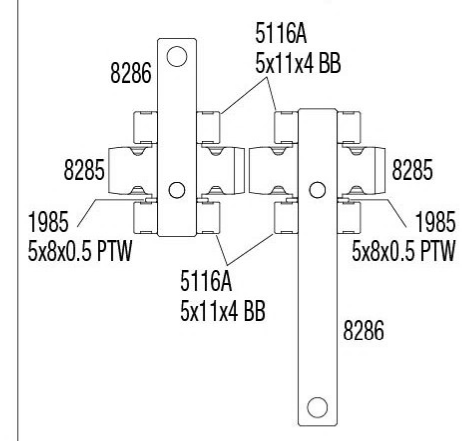


Transmission and Transfer Case Gears

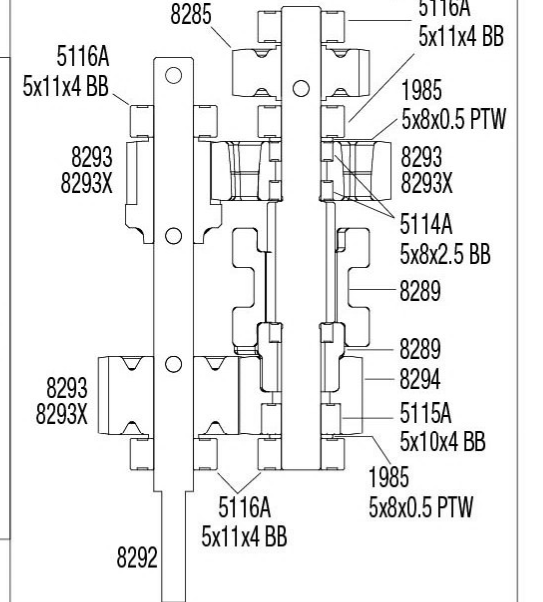
Note the orientation of the gears



Transfer Case Gears (top view)



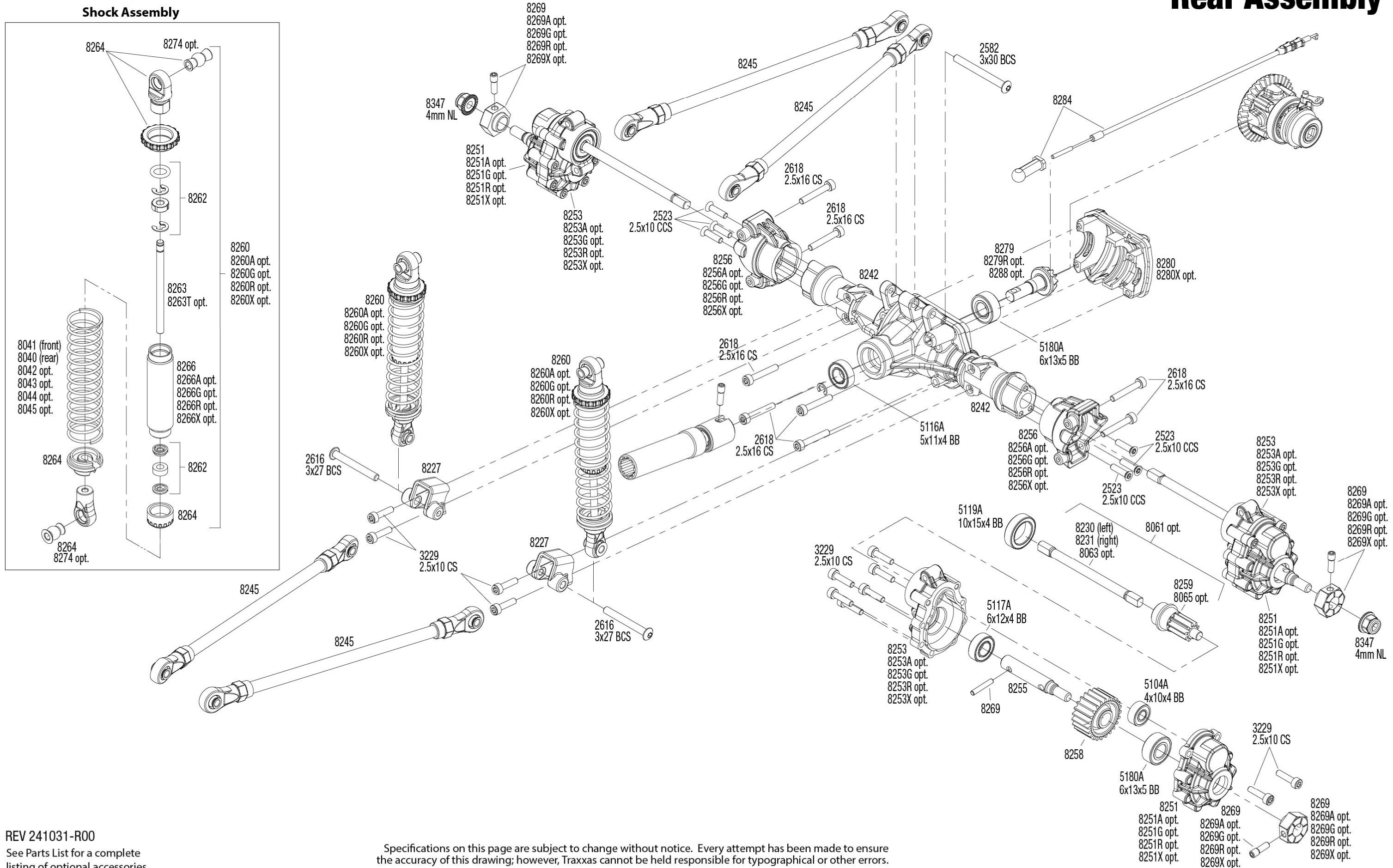
Transmission Gears (top view)



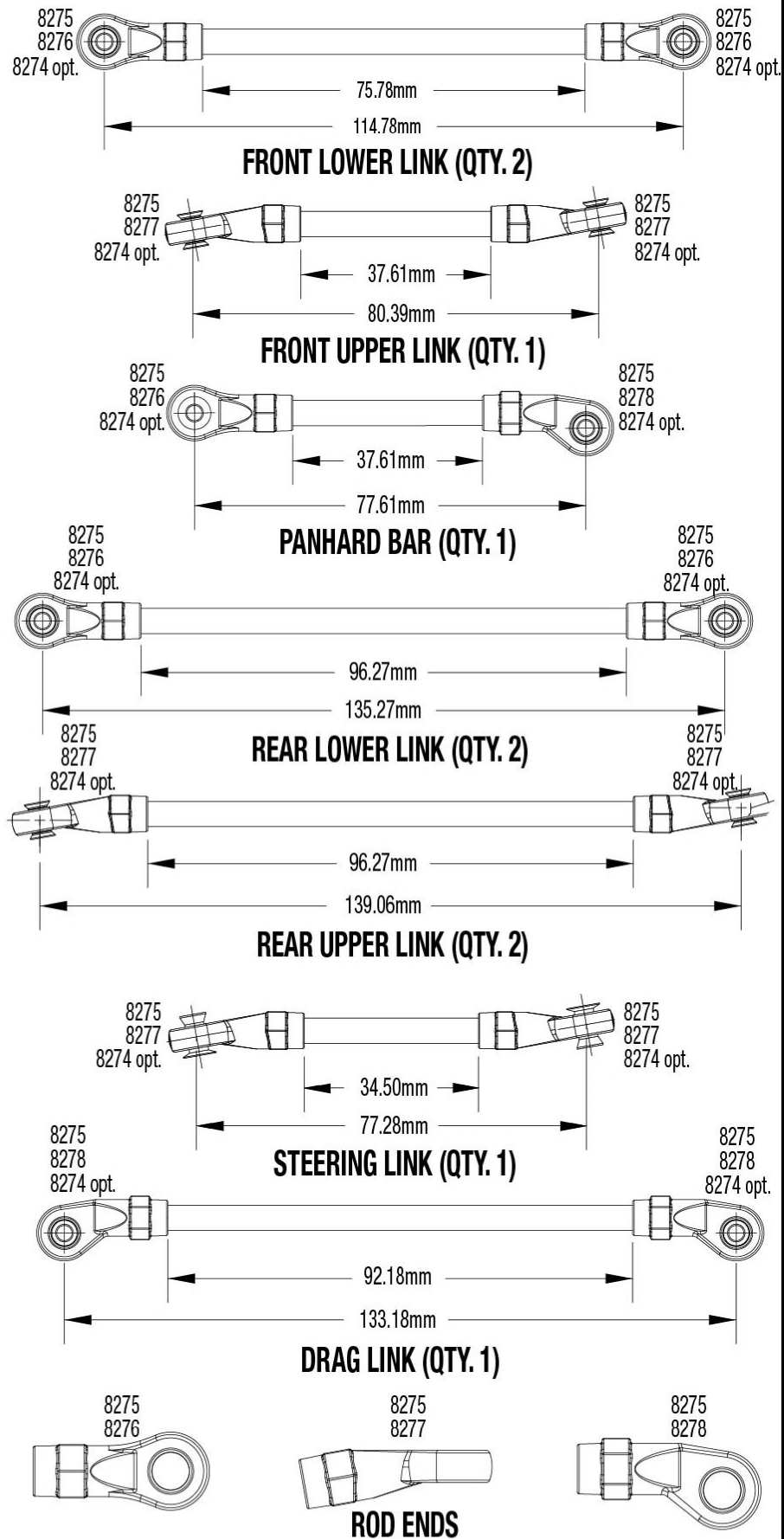
See Parts List for a complete listing of optional accessories.

Specifications on this page are subject to change without notice. Every attempt has been made to ensure the accuracy of this drawing; however, Traxxas cannot be held responsible for typographical or other errors.



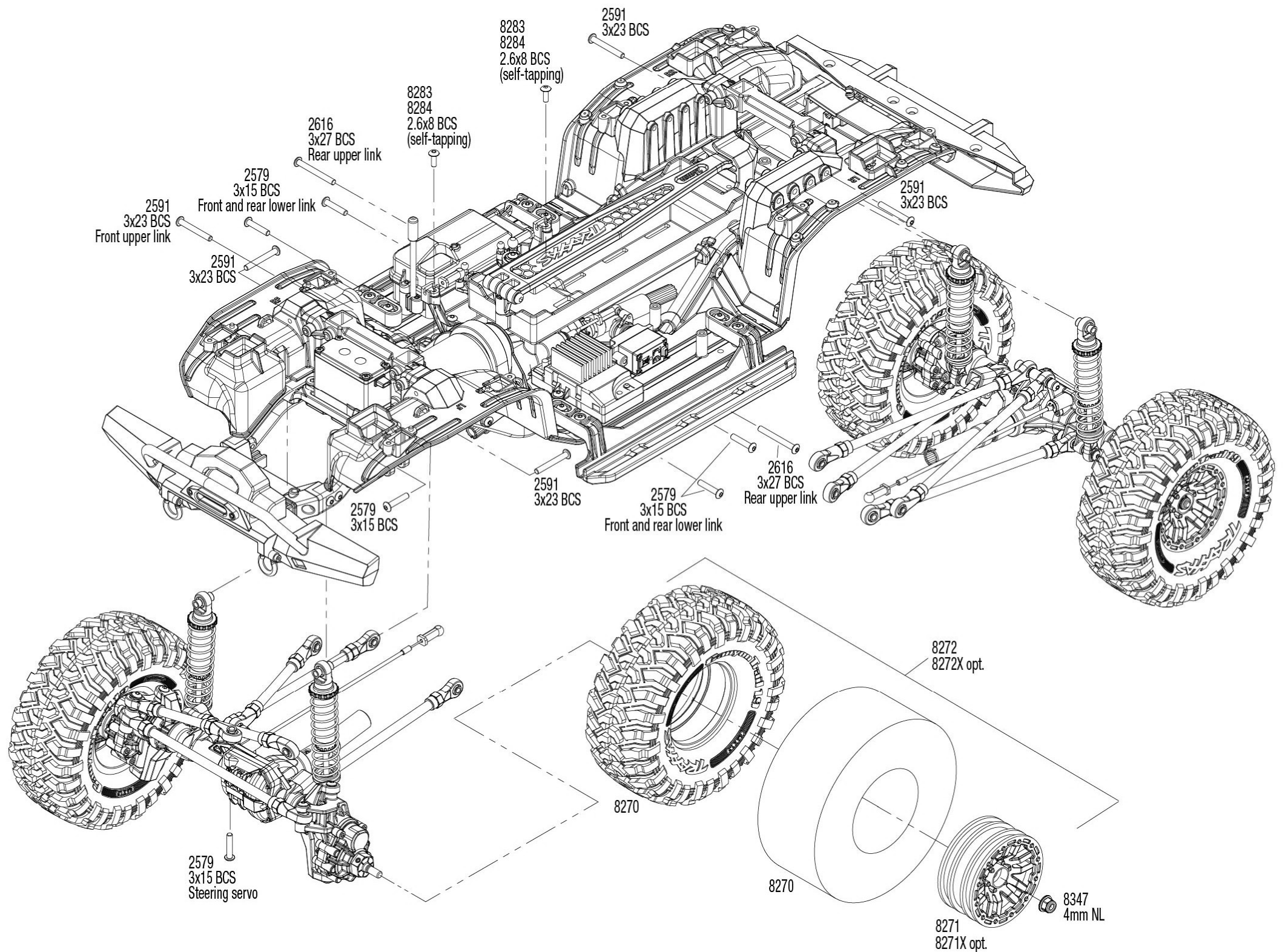


Link Dimensions



For standard hollow ball replacement, use part #5349.

Modular Assembly



See Parts List for a complete listing of optional accessories.

Specifications on this page are subject to change without notice. Every attempt has been made to ensure the accuracy of this drawing; however, Traxxas cannot be held responsible for typographical or other errors.