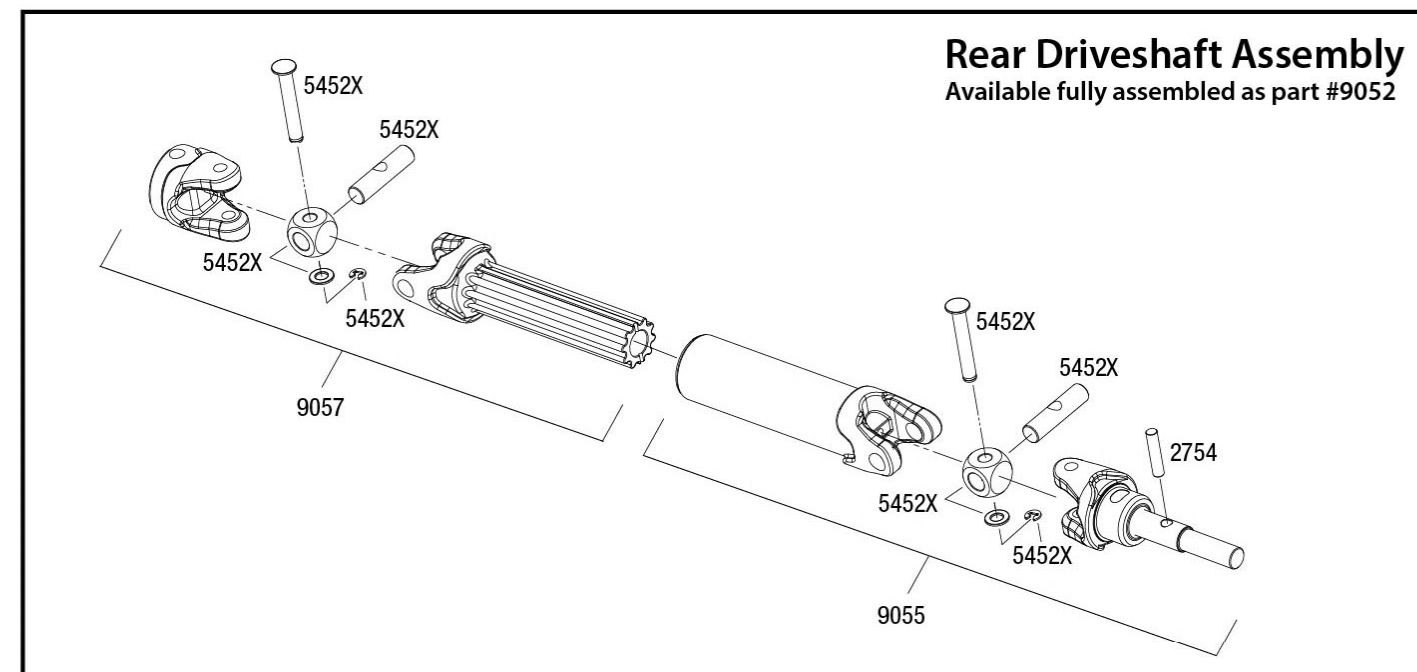
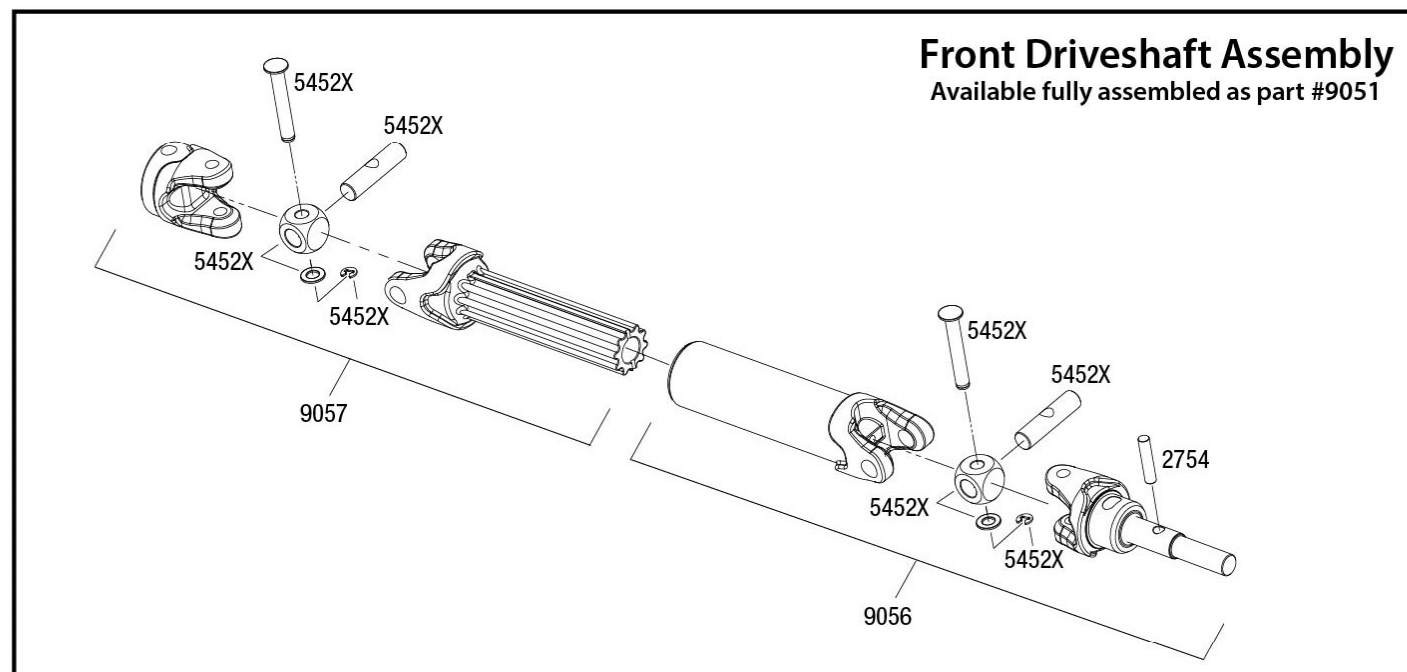
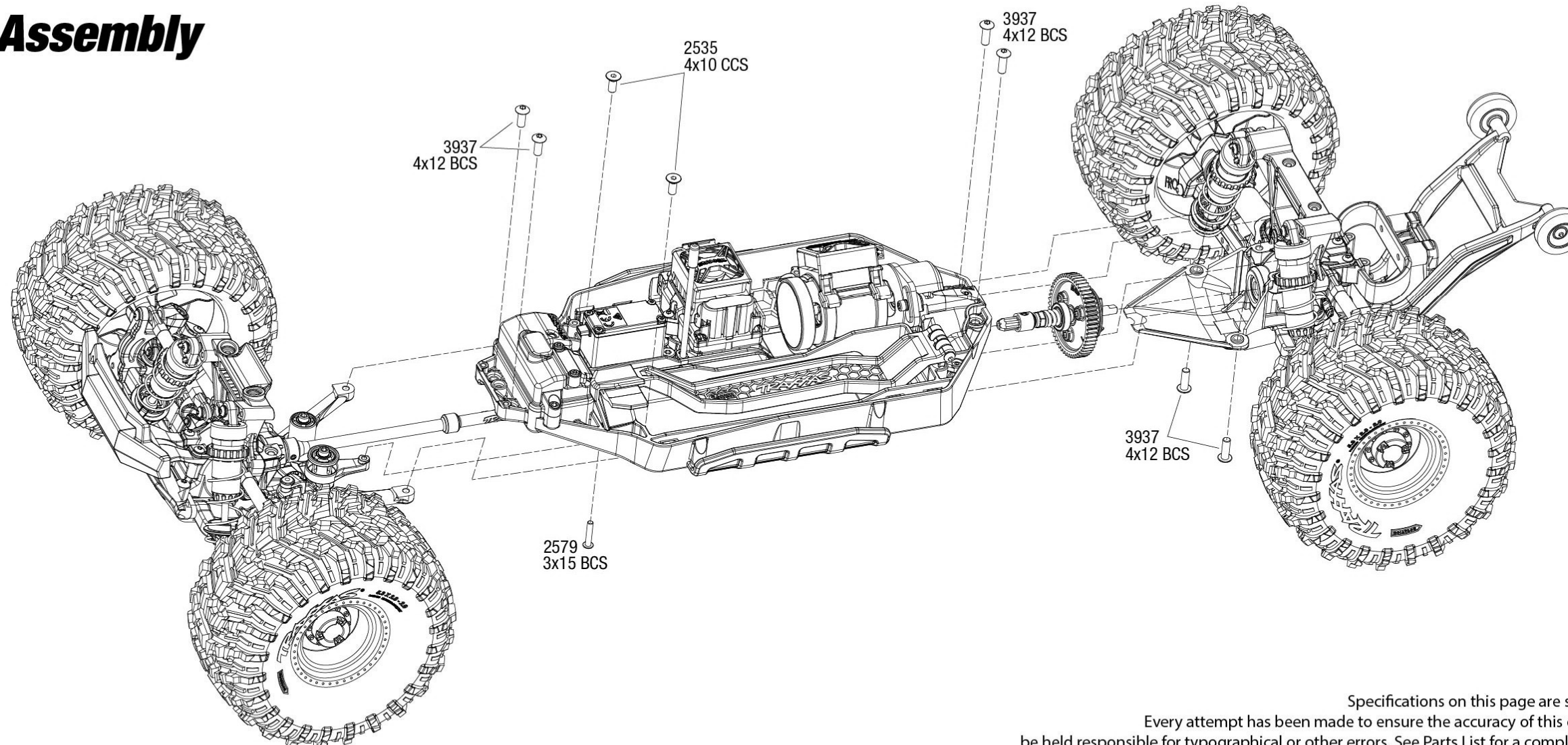
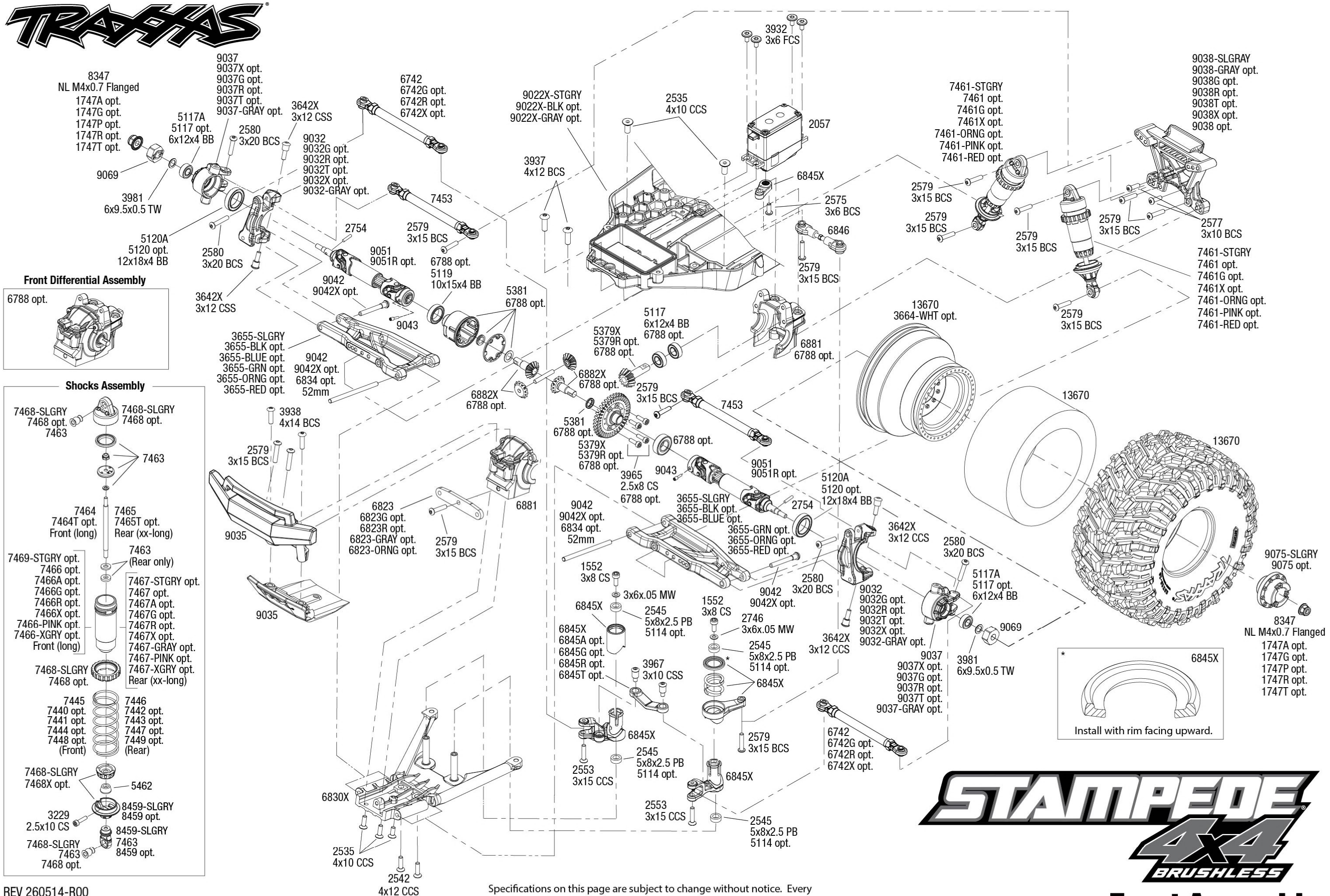


### Driveshafts



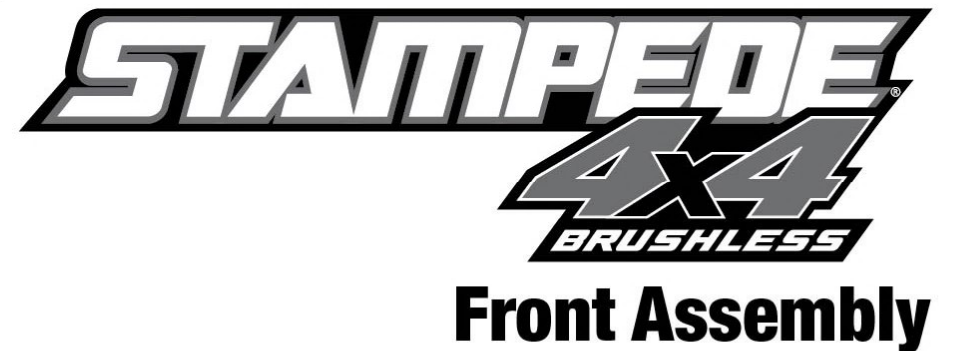
### Modular Assembly



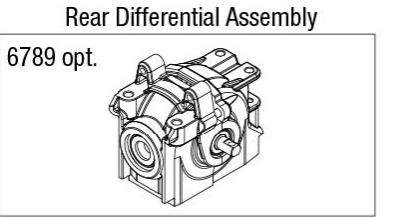
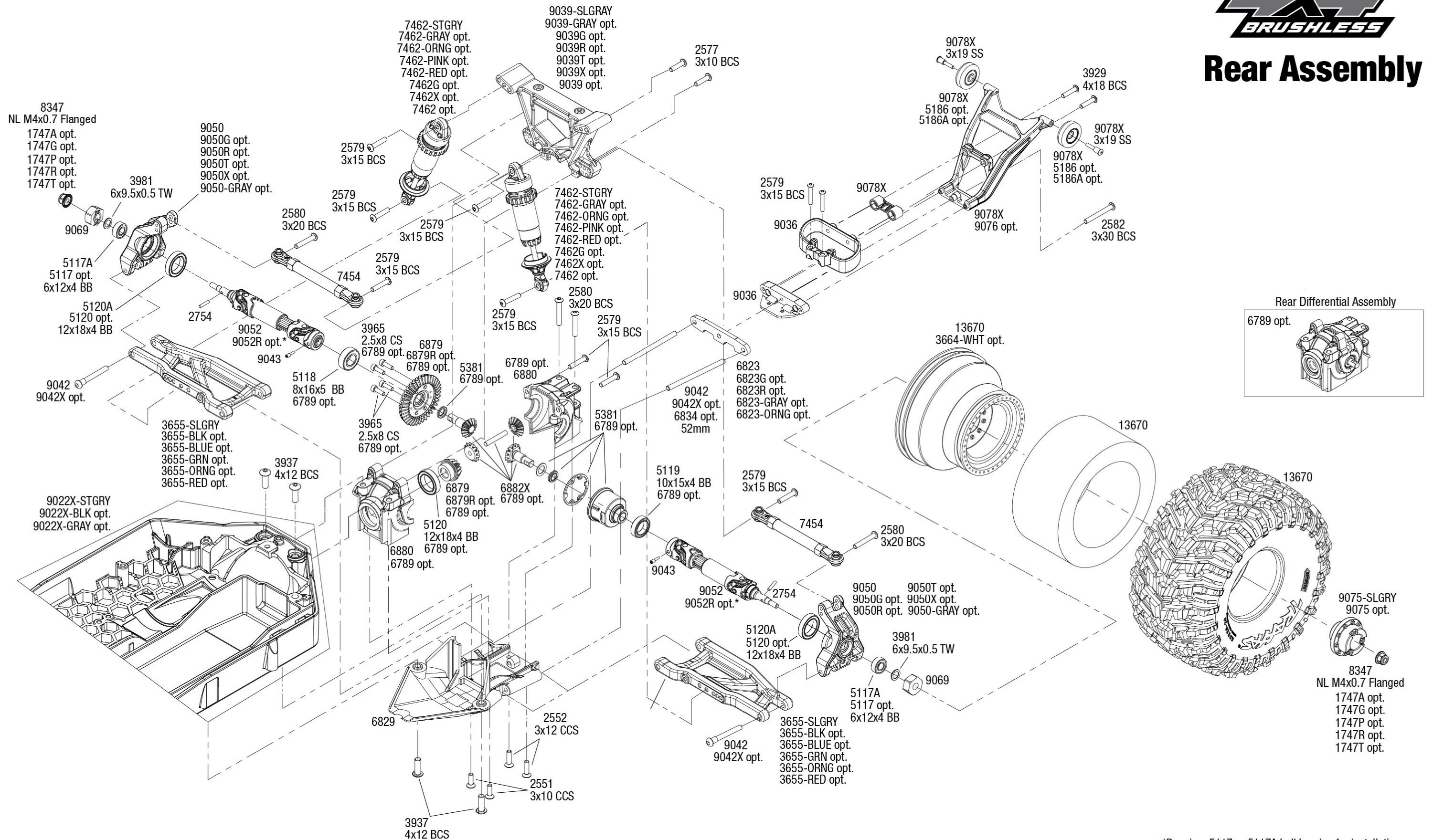


REV 260514-R00  
See Parts List for a complete listing of optional accessories.

Specifications on this page are subject to change without notice. Every attempt has been made to ensure the accuracy of this drawing; however, Traxxas cannot be held responsible for typographical or other errors.

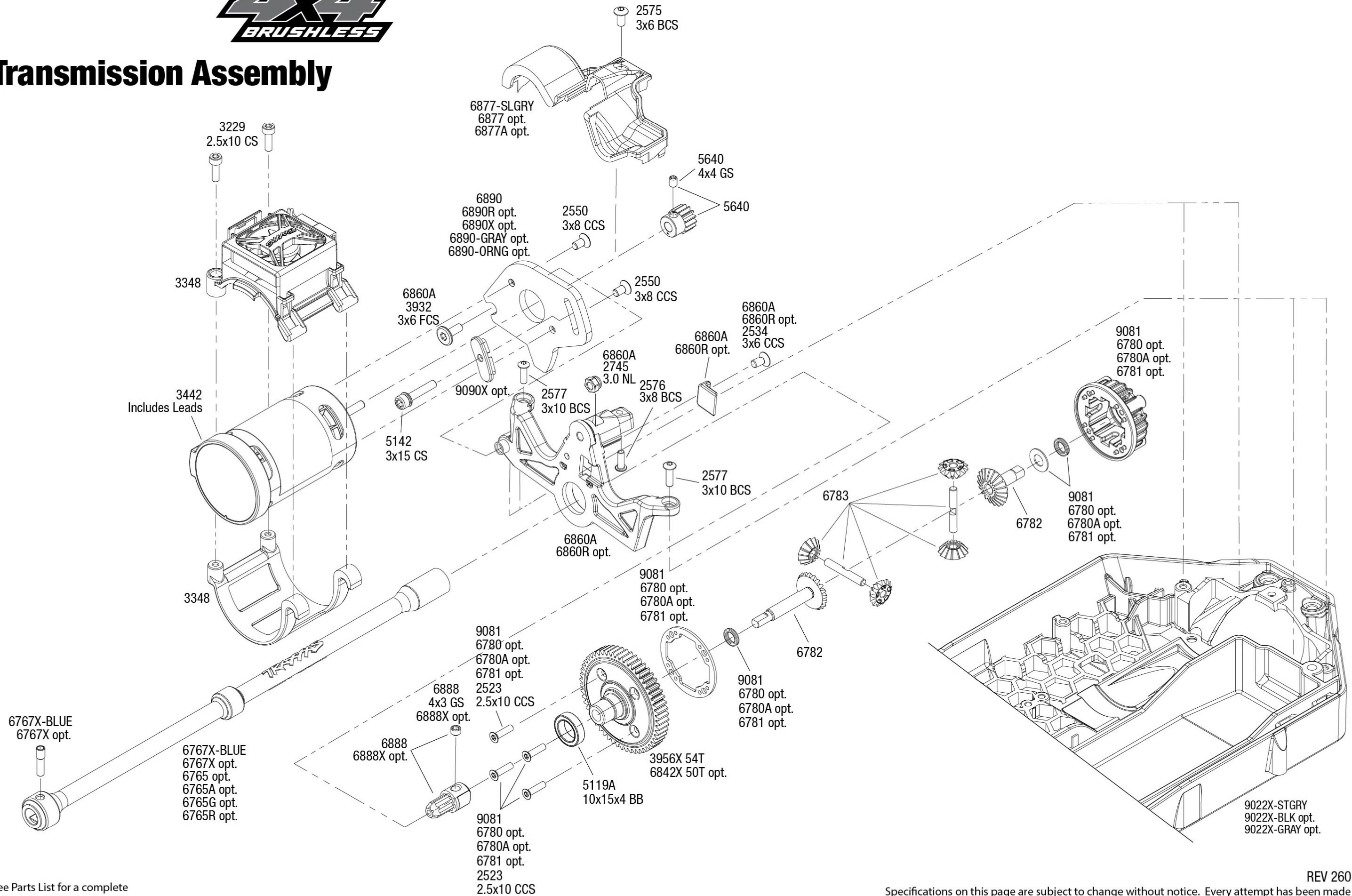


## Rear Assembly



\*Requires 5117 or 5117A ball bearing for installation.

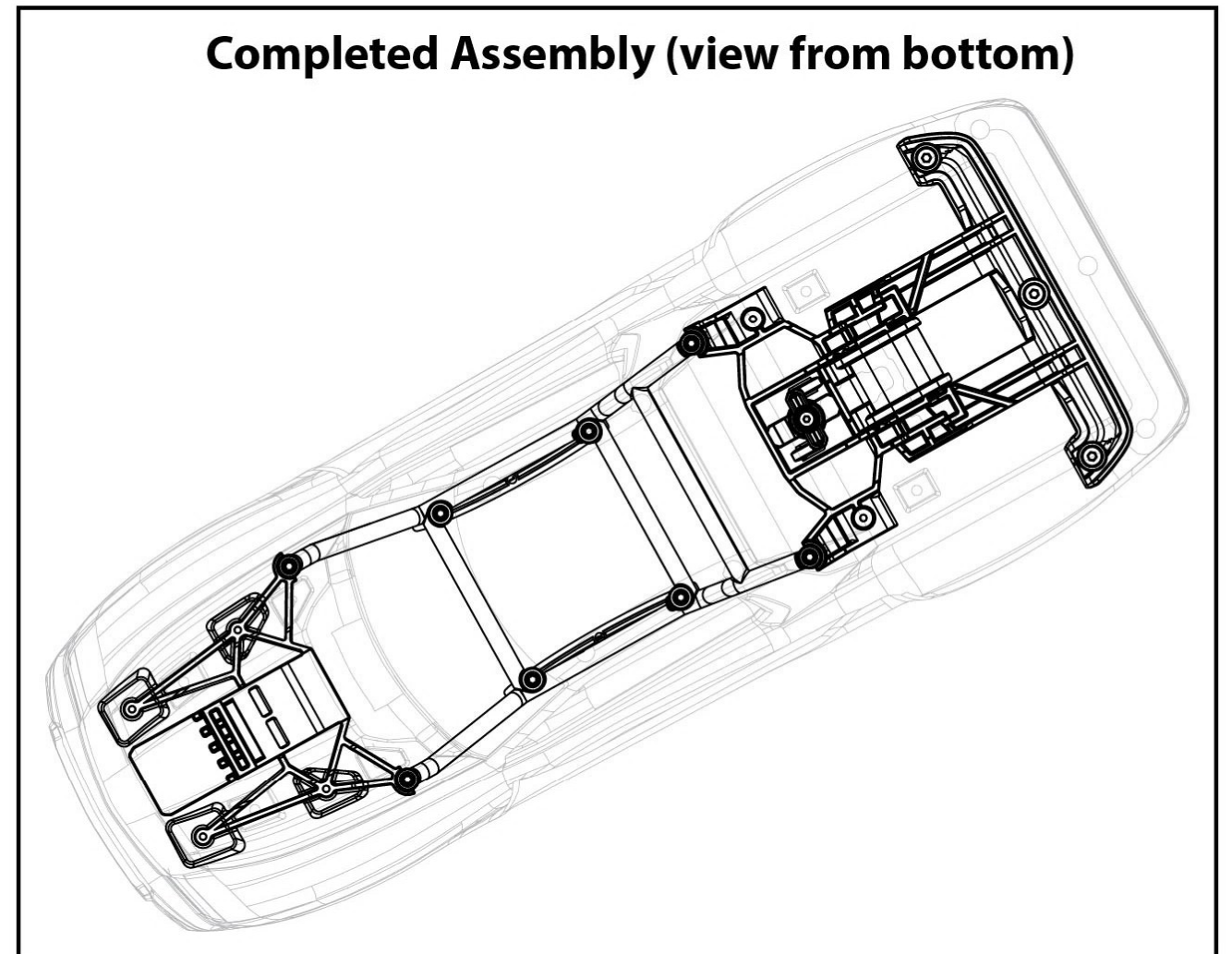
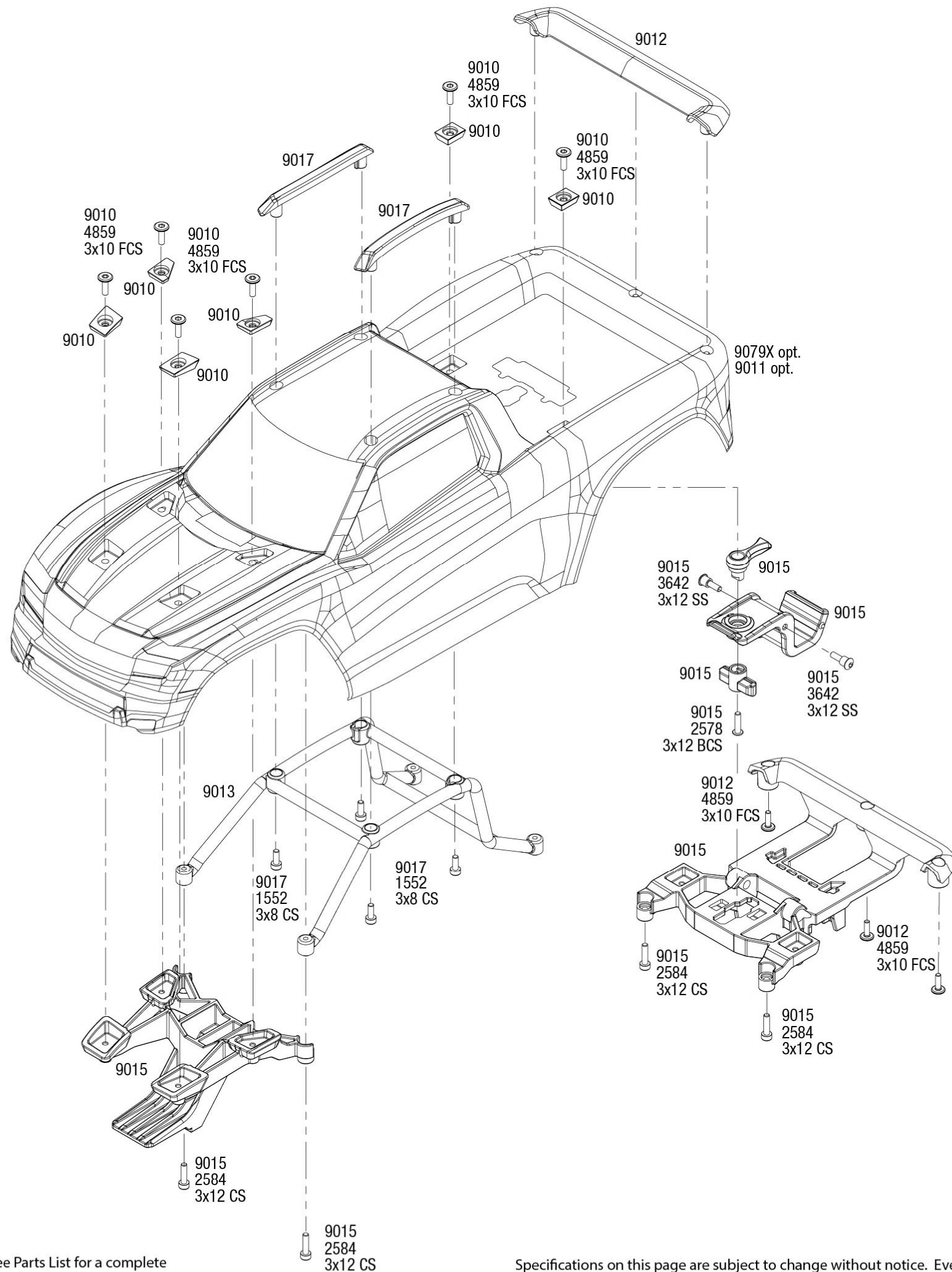
## Transmission Assembly



See Parts List for a complete listing of optional accessories.

REV 260514-R00  
Specifications on this page are subject to change without notice. Every attempt has been made to ensure the accuracy of this drawing; however, Traxxas cannot be held responsible for typographical or other errors.

## Body Assembly



See Parts List for a complete listing of optional accessories.

Specifications on this page are subject to change without notice. Every attempt has been made to ensure the accuracy of this drawing; however, Traxxas cannot be held responsible for typographical or other errors.

REV 260514-R00

